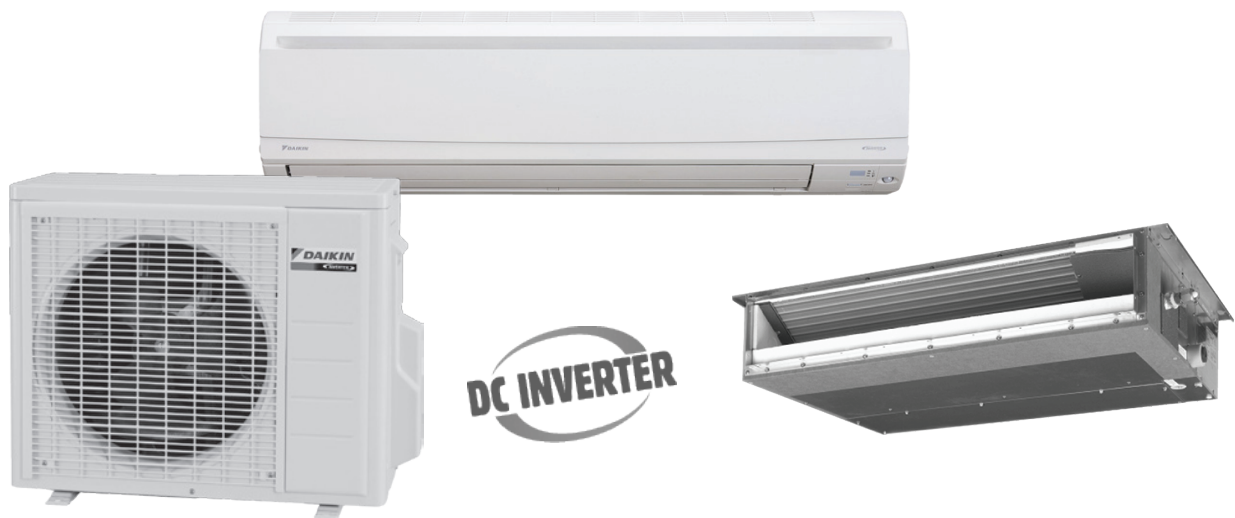


UP TO 24.5 SEER PERFORMANCE

HIGH-EFFICIENCY  
SLIM-DUCT & WALL-MOUNTED  
DUCTLESS SYSTEMS



## Product Features

- Quiet indoor & outdoor functions
- Econo-mode decreases power consumption when other appliances need more power
- Intelligent eye for wall-mounted units senses occupancy and changes to energy-saving mode when space is unoccupied
- Rapid heating or cooling
- Titanium Apatitie air-purifying filter for wall-mounted units only
- Weekly timer with 24-hour on/off timer for wall-mounted units only
- Refrigerant leakage detection
- Wide-angle louvers & airflow dual flaps on wall-mounted units
- Vertical & horizontal auto-swing & 3-D airflow on wall-mounted units
- Comfort mode on wall-mounted units
- Automatic operation
- Program dry function
- Self-diagnosis with digital display
- Anti-corrosion treatment

## SPECIFICATIONS FOR WALL-MOUNTED UNITS

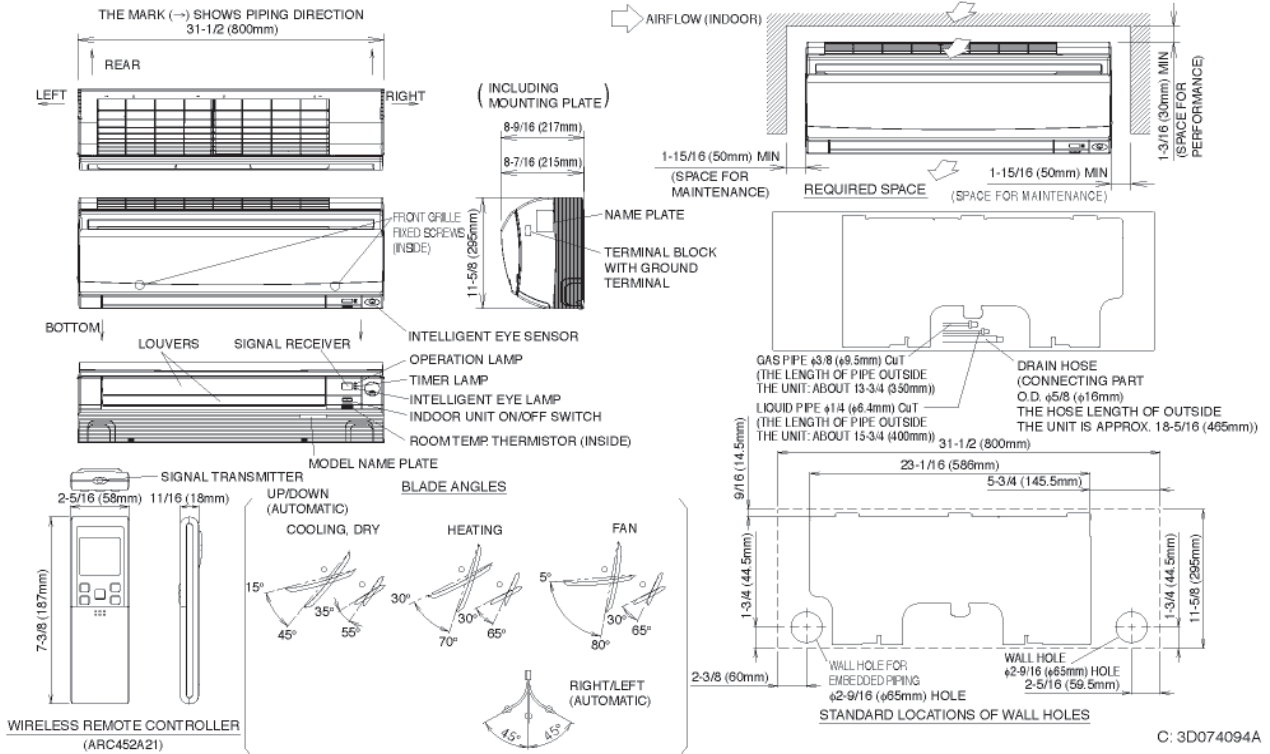
LV SERIES HIGH-EFFICIENCY SYSTEM PERFORMANCE						
Nominal Tons		0.75 Ton	1.0 Ton	1.25 Ton	1.5 Ton	2.0 Ton
Cooling Capacity (Rated)	BTU/h	9,000	12,000	15,000	18,000	21,500
Cooling Capacity (Min – Max)	BTU/h	4,400 – 10,600	4,800 – 13,800	5,800 – 18,000	5,800 – 21,600	7,800 – 25,800
Heating Capacity (Rated)	BTU/h	12,000	14,400	18,000	21,600	25,400
Heating Capacity (Min – Max)	BTU/h	4,400 – 15,600	4,800 – 18,000	5,800 – 22,300	5,800 – 26,700	7,800 – 31,400
SEER / EER (95°F)		24.5 / 15.3	23 / 12.8	20.6 / 14.4	20.3 / 12.7	20 / 12.5
HSPF		12.5	12.5	11.6	11	10.6
COP (47°F)		4.46	4.35	4	3.7	3.37
Power Supply (Voltage-Phase-Hz)		208/230V-1-60	208/230V-1-60	208/230V-1-60	208/230V-1-60	208/230V-1-60
Minimum Circuit Amps	A	8.00	8.75	13.75	13.75	17.50
Maximum Overcurrent Protection	A	15.0	15.0	20.0	20.0	20.0
Power Consumption - Cooling	W	590	940	1,040	1,420	1,720
Power Consumption - Heating	W	790	970	1,320	1,710	2,210
Operating Current - Cooling	A	3.6 - 3.3	4.9 - 4.4	5.2 - 4.7	7.1 - 6.4	8.4 - 7.6
Operating Current - Heating	A	4.4 - 3.9	4.9 - 4.5	6.5 - 5.9	8.4 - 7.6	10.7 - 9.7
INDOOR UNITS - FTXS_LVJU WALL-MOUNTED UNITS						
Model Name		FTXS09LVJU	FTXS12LVJU	FTXS15LVJU	FTXS18LVJU	FTXS24LVJU
Moisture Removal	gal/h	0.3	0.5	0.8	1.0	1.2
Airflow-Wet (H/M/L/SL)	CFM	381/279/194/145	403/307/205/155	568/477/385/360	583/484/385/360	643/494/350/328
Airflow-Dry (H/M/L/SL)	CFM	420/321/233/219	438/335/240/212	593/505/417/371	625/526/431/399	699/572/445/403
Sound Pressure - Cooling (H/M/L/SL)	dB(A)	41/33/25/22	45/37/29/23	45/40/35/32	46/41/36/33	51/44/37/34
Sound Pressure - Heating (H/M/L/SL)	dB(A)	42/35/28/25	45/39/29/26	43/38/33/30	45/40/35/32	48/42/37/34
Piping Connections	Liquid (O.D.)	in.	∅ 1/4	∅ 1/4	∅ 1/4	∅ 1/4
	Gas (O.D.)	in.	∅ 3/8	∅ 3/8	∅ 1/2	∅ 5/8
	Condensate Drain	in.	∅ 5/8	∅ 5/8	∅ 5/8	∅ 5/8
Dimensions (H x W x D)	Inch	11 $\frac{1}{8}$ x 31 $\frac{1}{2}$ x 8 $\frac{7}{16}$			13 $\frac{3}{8}$ x 41 $\frac{1}{16}$ x 9 $\frac{9}{16}$	
Net Weight	lbs.	20.0	22.0	31.0	31.0	31.0
OUTDOOR UNITS - RXS_LVJU HEAT PUMP						
Model Name		RXS09LVJU	RXS12LVJU	RXS15LVJU	RXS18LVJU	RXS24LVJU
Sound Pressure Level - Cooling	dB(A)	47/43	49/44	47/44	49/46	52/49
Sound Pressure Level - Heating	dB(A)	48/44	49/45	48/45	49/46	52/49
Operating Range - Cooling	°F DB	14 - 115	14 - 115	14 - 115	14 - 115	14 - 115
Operating Range - Cooling with Optional Wind Baffle	°F DB	0 - 115	0 - 115	0 - 115	0 - 115	0 - 115
Operating Range - Heating	°F DB	5 - 77	5 - 77	5 - 77	5 - 77	5 - 77
Max. Piping Length	ft.	65.6	65.6	98.4	98.4	98.4
Max. Piping Height	ft.	49.2	49.2	65.6	65.6	65.6
Dimensions (H x W x D)	in.	21 $\frac{3}{8}$ x 30 $\frac{1}{2}$ x 11 $\frac{1}{4}$		28 $\frac{15}{16}$ x 32 $\frac{1}{2}$ x 11 $\frac{13}{16}$		30 $\frac{5}{16}$ x 35 $\frac{7}{16}$ x 12 $\frac{1}{2}$
Net Weight	lbs.	75	75	104	104	159

## SPECIFICATIONS FOR SLIM-DUCT UNITS

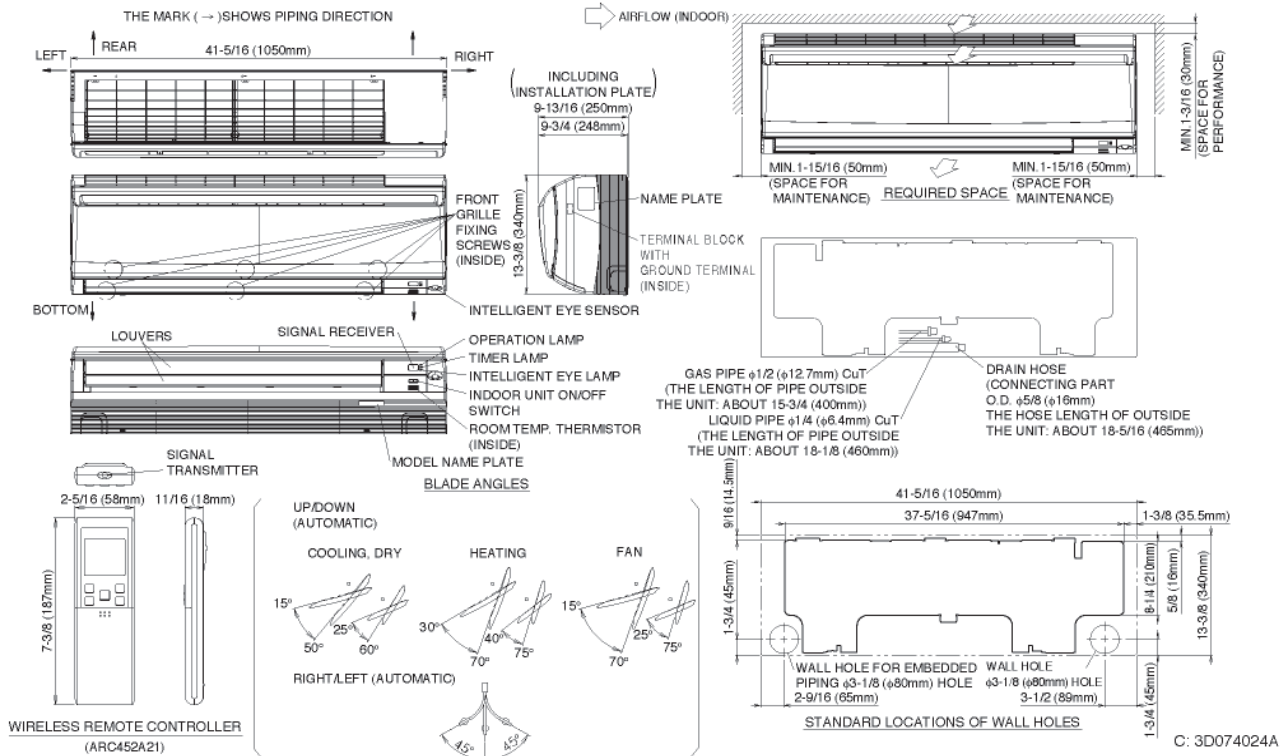
<b>LV SERIES STANDARD-EFFICIENCY SYSTEM PERFORMANCE</b>			
Nominal Tons		0.75 Ton	1.0 Ton
Cooling Capacity (Rated)	BTU/h	8,500	11,500
Cooling Capacity (Min – Max)	BTU/h	4,400 - 8,500	4,800 - 11,500
Heating Capacity (Rated)	BTU/h	10,000	11,500
Heating Capacity (Min – Max)	BTU/h	4,400 - 10,000	4,800 - 11,500
SEER / EER		15.1 / 11.2	15.5 / 9.1
COP		3.45	3.51
HSPF		10.3	10.4
Power Supply (Voltage-Phase-Hz)		208/230V-1-60	208/230V-1-60
Minimum Circuit Amps	A	8.00	8.75
Maximum Overcurrent Protection	A	15	15
Power Consumption - Cooling	W	760	1,260
Power Consumption - Heating	W	850	960
Operating Current - Cooling	A	4.6 - 4.2	6.4 - 5.8
Operating Current - Heating	A	4.5 - 4.1	4.9 - 4.4
<b>INDOOR UNITS: FDXS_LVJU SLIM-DUCT BUILT-IN CONCEALED CEILING UNITS</b>			
Model Name		FDXS09LVJU	FDXS12LVJU
External Static Pressure	in. W.G.	0.12	0.12
Moisture Removal	gal/h	2.5	4.0
Airflow-Wet (H/M/L/SL)	CFM	305/280/260/235	305/280/260/235
Airflow-Dry (H/M/L/SL)	CFM	305/280/260/235	305/280/260/235
Sound Pressure - Cooling (H/M/L)	dB(A)	35/33/31	35/33/31
Sound Pressure - Heating (H/M/L)	dB(A)	35/33/31	35/33/31
Piping Connections	Liquid (O.D.)	in. $\varnothing$ 1/4	$\varnothing$ 1/4
	Gas (O.D.)	in. $\varnothing$ 3/8	$\varnothing$ 3/8
	Condensate Drain	in. $\varnothing$ 25/32	$\varnothing$ 25/32
Dimensions (H x W x D)	in.	7 $\frac{7}{8}$ x 27 $\frac{9}{16}$ x 24 $\frac{7}{16}$	7 $\frac{7}{8}$ x 27 $\frac{9}{16}$ x 24 $\frac{7}{16}$
Net Weight	lbs.	47.0	47.0
<b>OUTDOOR UNITS: RXS_LVJU HEAT PUMP</b>			
Model Name		RXS09LVJU	RXS12LVJU
Sound Pressure Level - Cooling	dB(A)	47/43	49/44
Sound Pressure Level - Heating	dB(A)	48/44	49/45
Operating Range - Cooling	°F DB	14 - 115	14 - 115
Operating Range - Cooling with Optional Wind Baffle	°F DB	0 - 115	0 - 115
Operating Range - Heating	°F DB	5 - 77	5 - 77
Max. Piping Length	ft.	65.6	65.6
Max. Piping Height	ft.	49.2	49.2
Dimensions (H x W x D)	in.	21 $\frac{1}{8}$ x 30 $\frac{3}{8}$ x 11 $\frac{1}{4}$	21 $\frac{1}{8}$ x 30 $\frac{3}{8}$ x 11 $\frac{1}{4}$
Net Weight	lbs.	75.0	75.0

# DIMENSIONS — INDOOR UNITS

## FTXS09/12LVJU

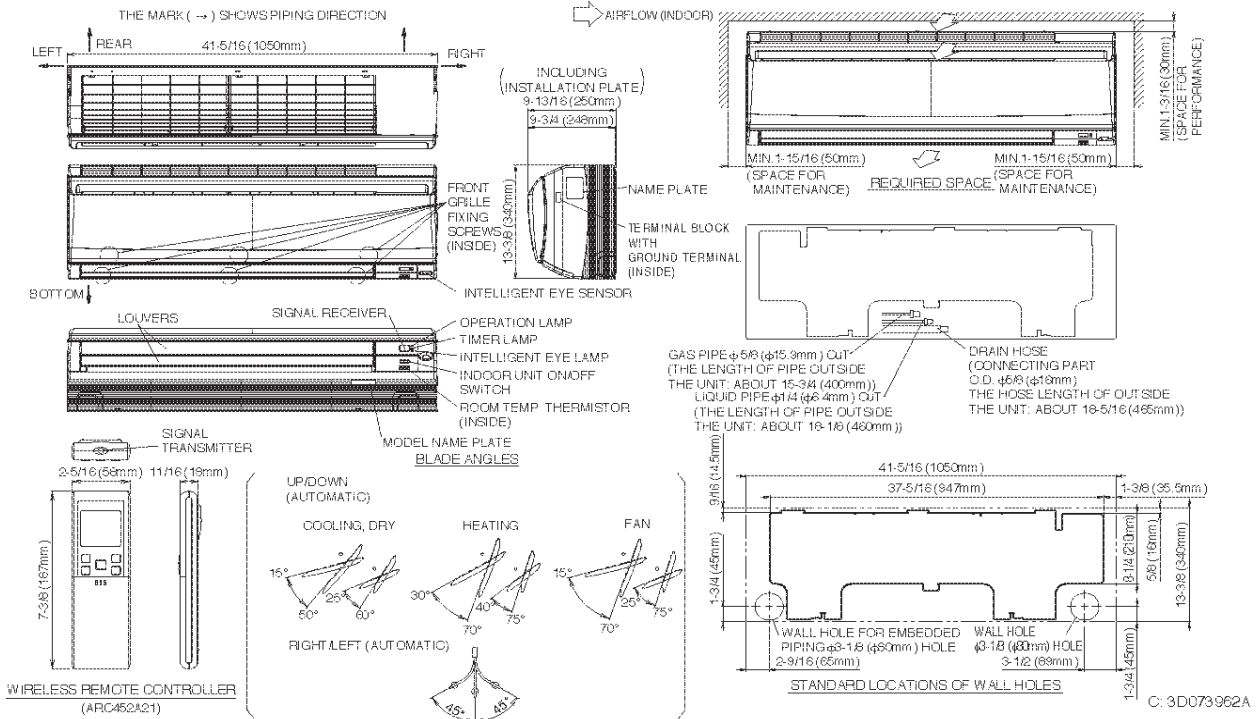


## FTXS15/18LVJU

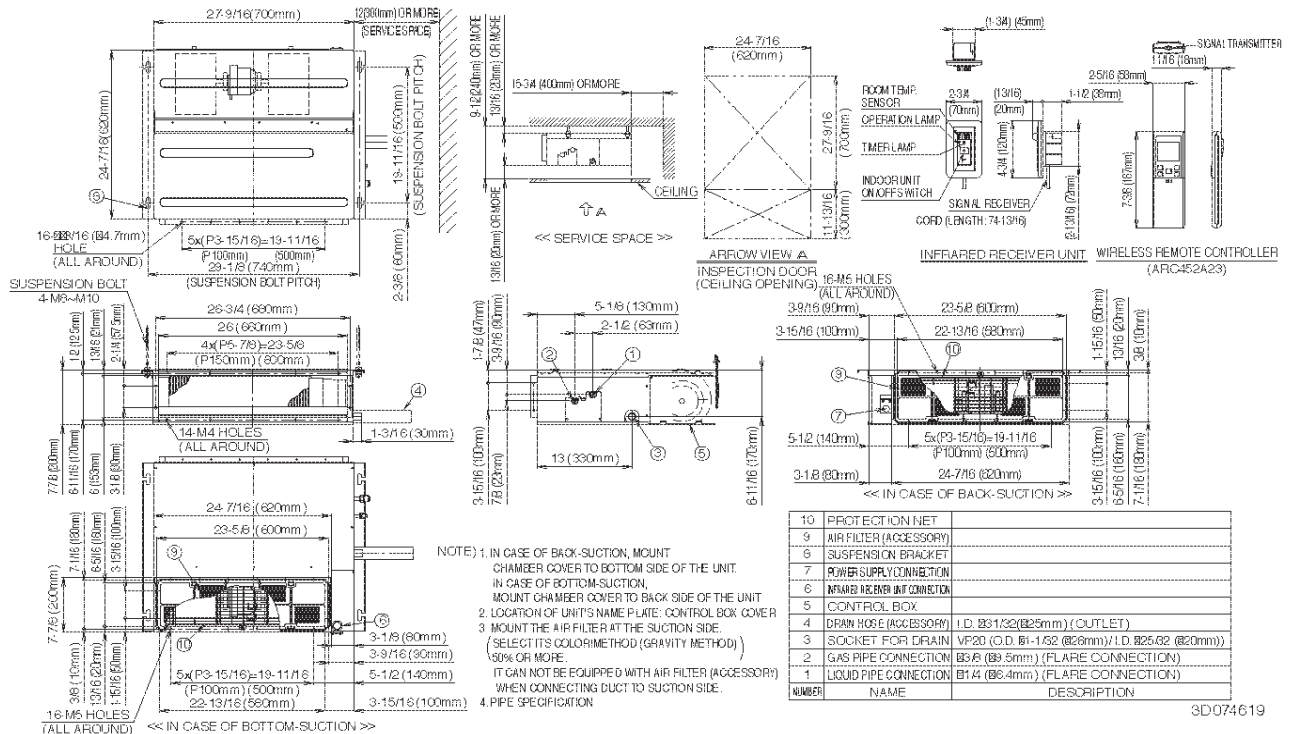


# DIMENSIONS — INDOOR UNITS

## FTXS24LVJU

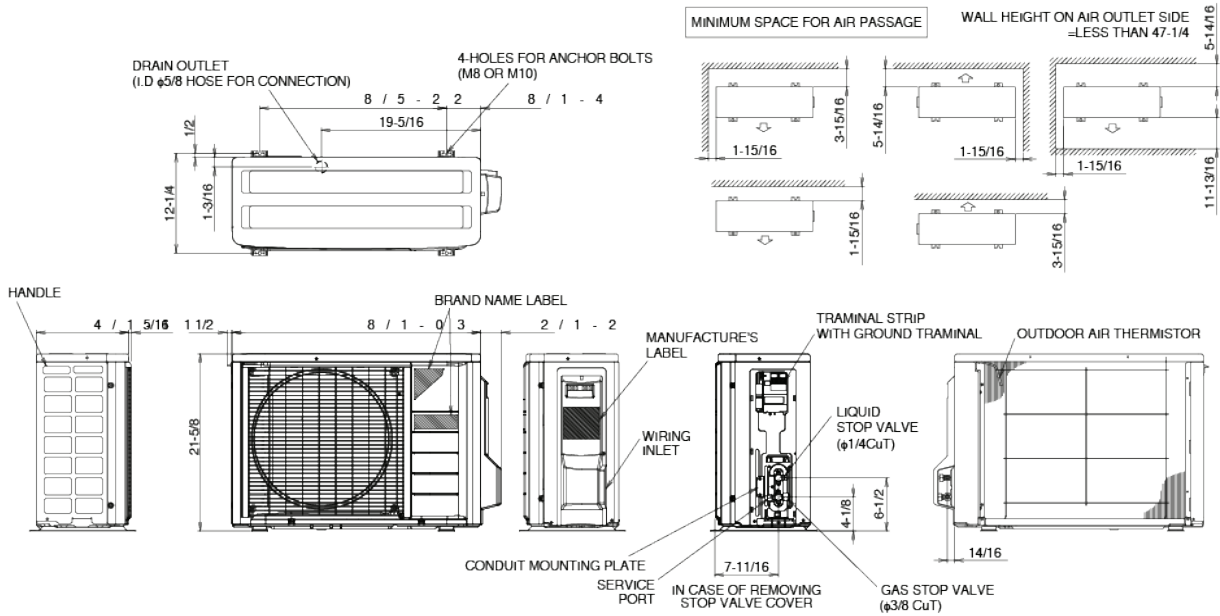


## FDXS09/12LVJU



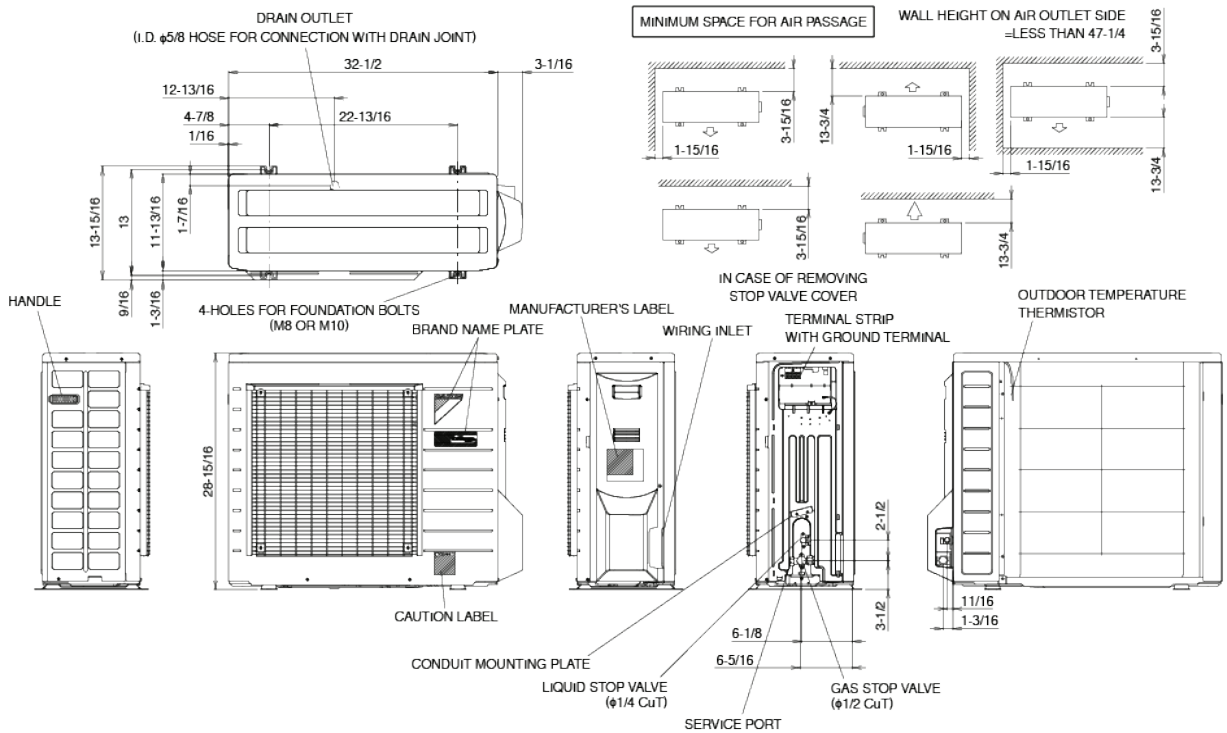
# DIMENSIONS — OUTDOOR UNITS

## RXS09/12LVJU



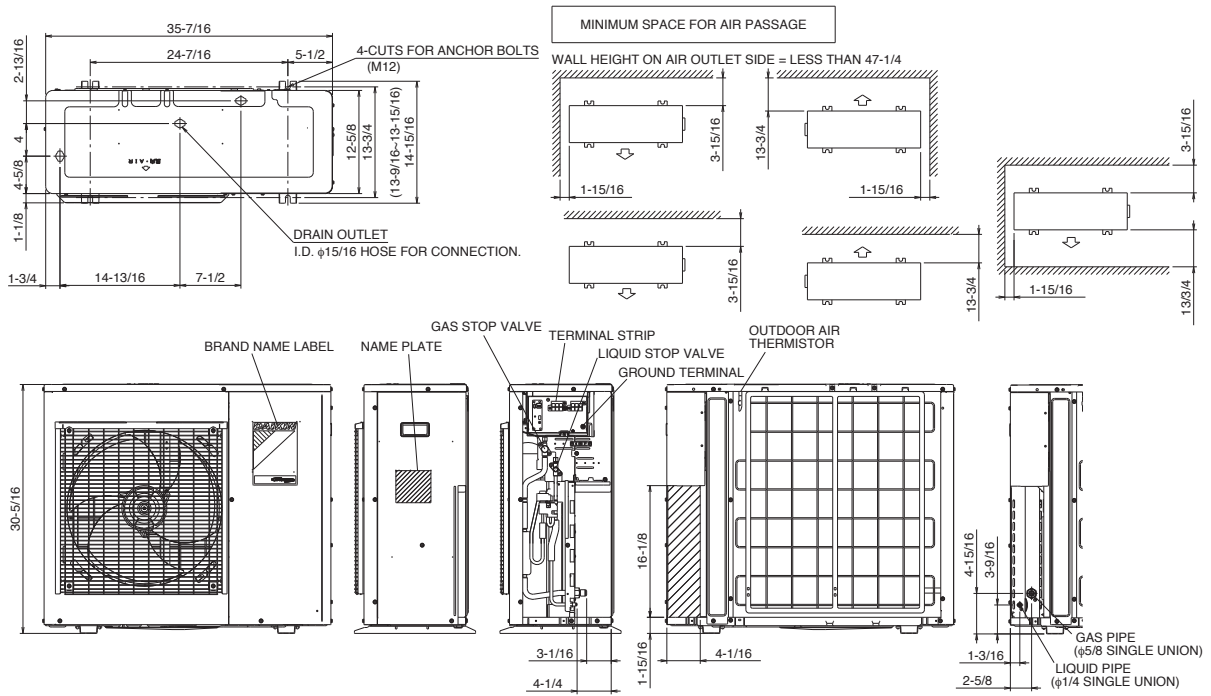
3D074281

## RXS15/18LVJU



# DIMENSIONS — OUTDOOR UNIT

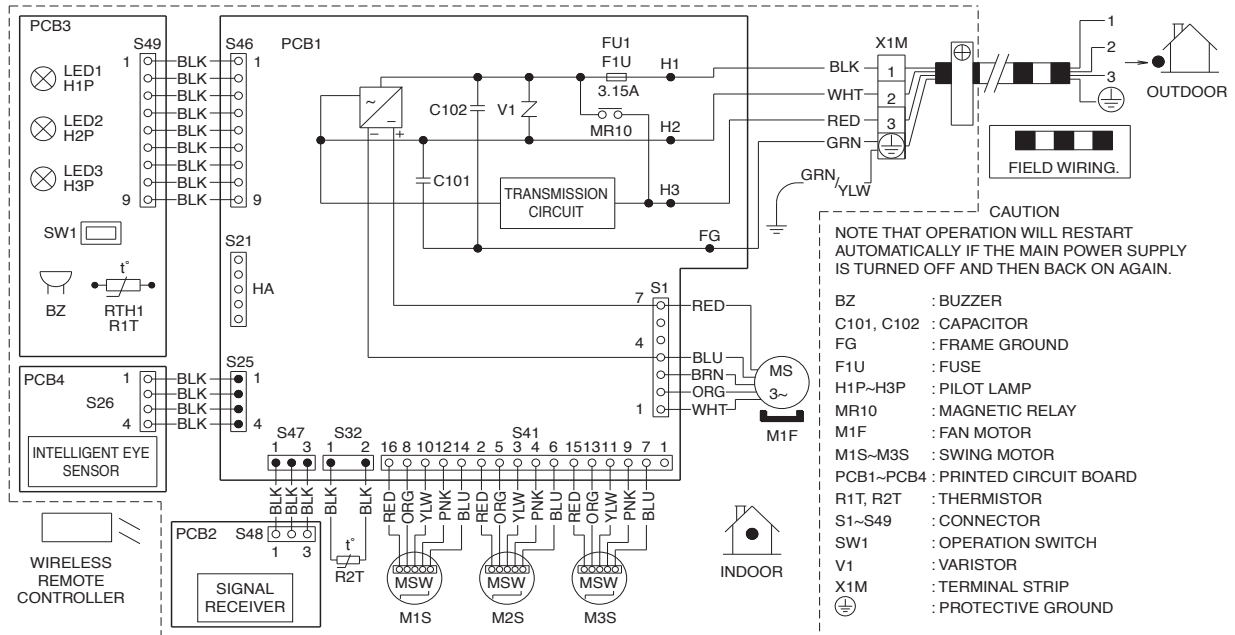
## RXS24LVJU



3D074208A

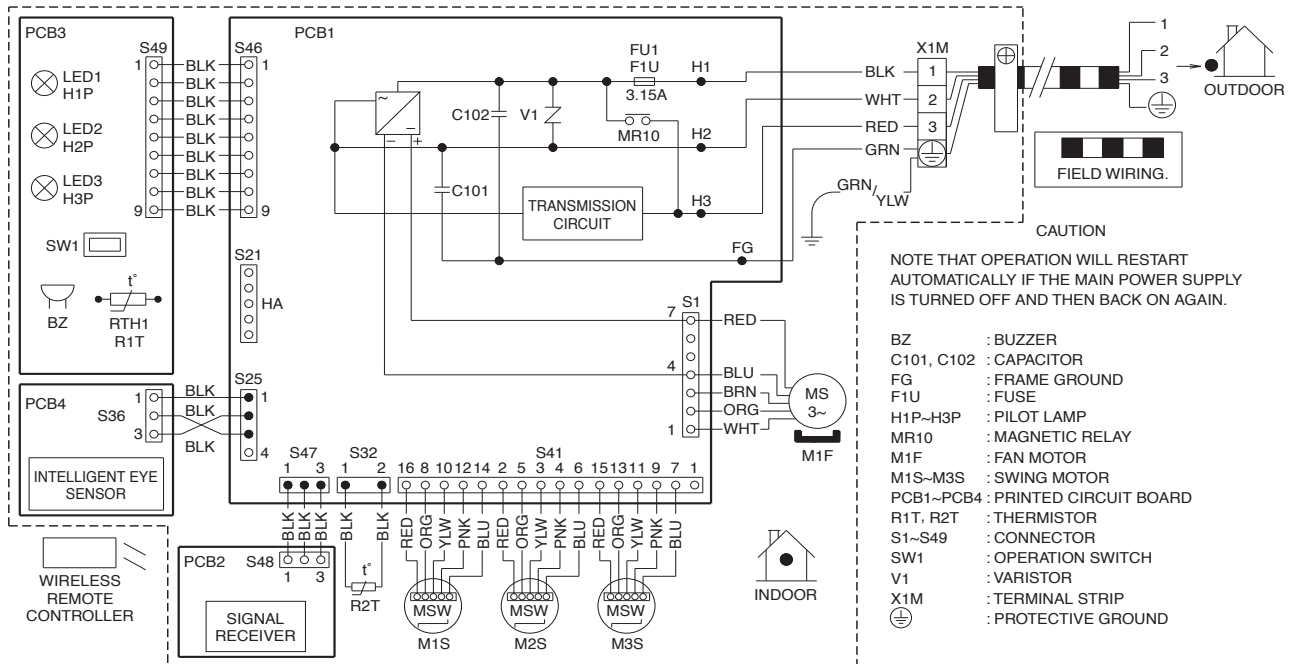
# WIRING DIAGRAMS — INDOOR UNITS

## FTXS09/12LVJU



C: 3D058246F

## FTXS15/18/24LVJU

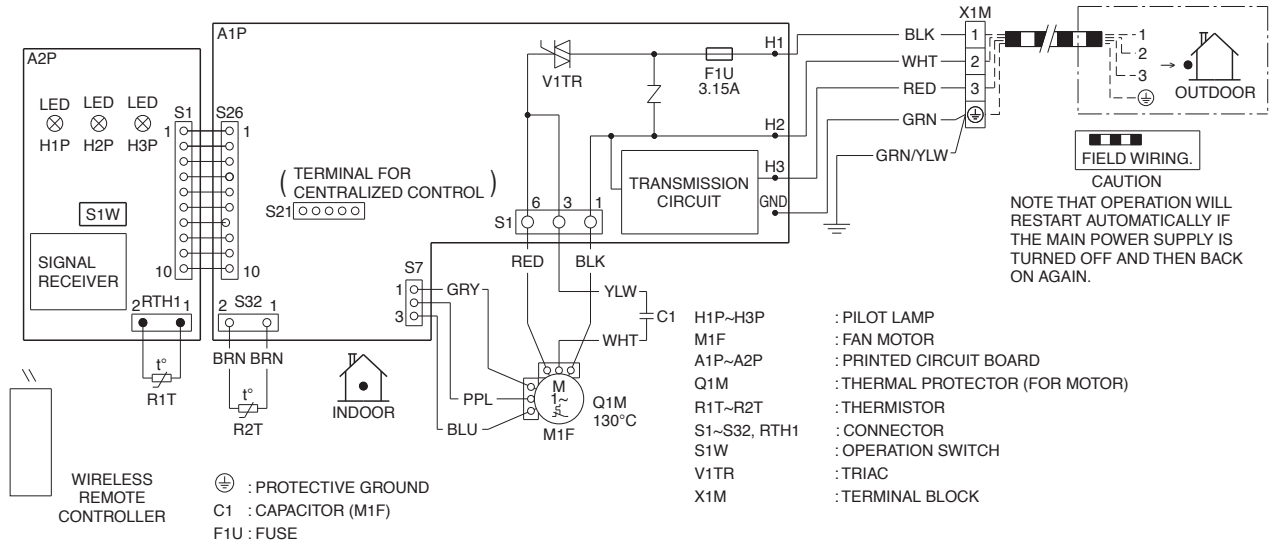


C: 3D060942H



# WIRING DIAGRAM — INDOOR UNIT

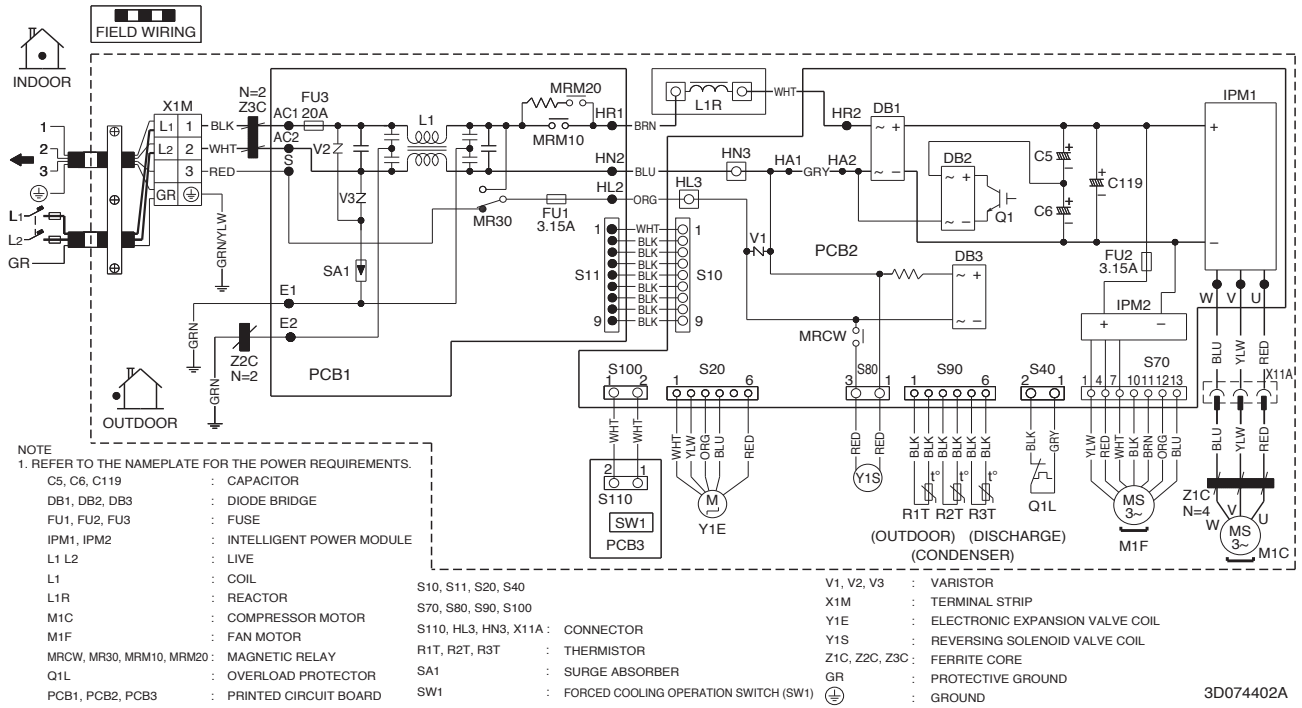
FDXS09/12LVJU



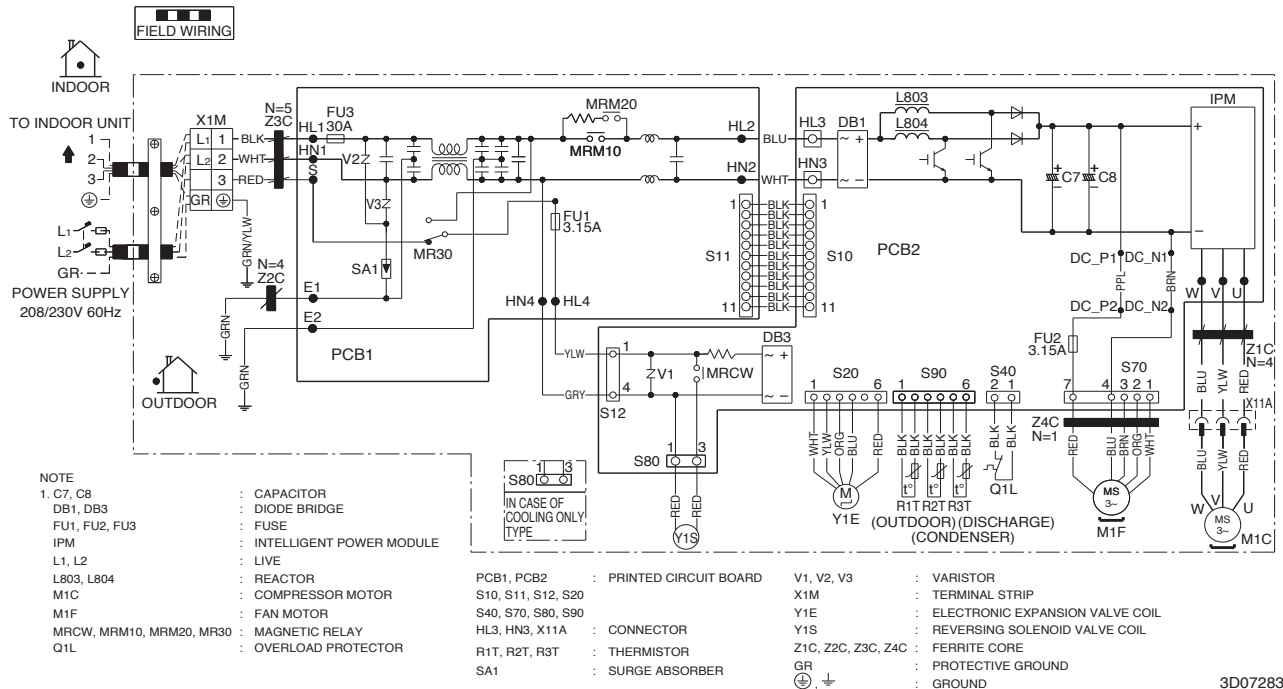
C: 3D073998B

# WIRING DIAGRAMS — OUTDOOR UNITS

## RXS09/12LVJU

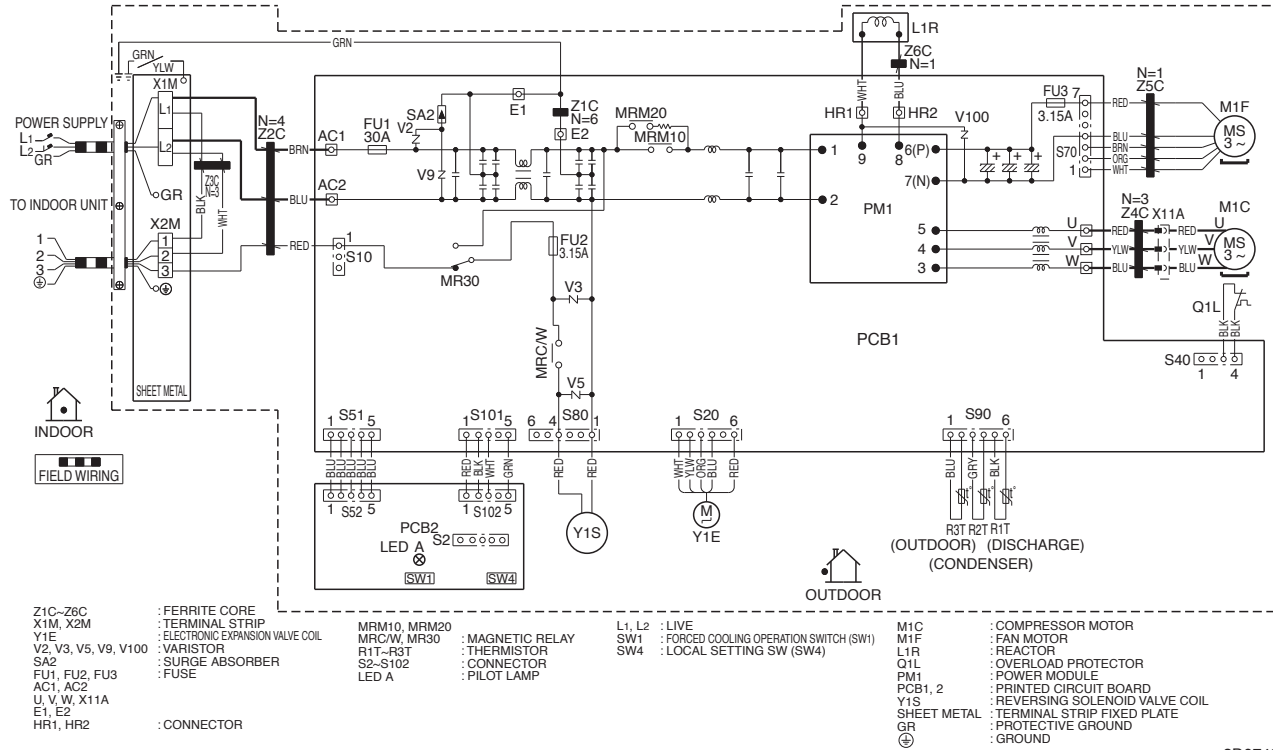


## RXS15/18LVJU



# WIRING DIAGRAM — OUTDOOR UNIT

## RXS24LVJU



3D074292

## ACCESSORIES

<b>INDOOR UNIT</b>	
Wired Controller	BRC944B2
Condensate Pump	MP3000DU23
Daikin ENVi Intelligent Thermostat	DACA-TS1-1
<b>OUTDOOR UNIT</b>	
Mounting Bracket	BS520440
Air Adjustment Grille (09/12 MBH)	KPW937D4
Air Adjustment Grille (15/18/24 MBH)	KPW945A4