

4

3

2

1

D

D

C

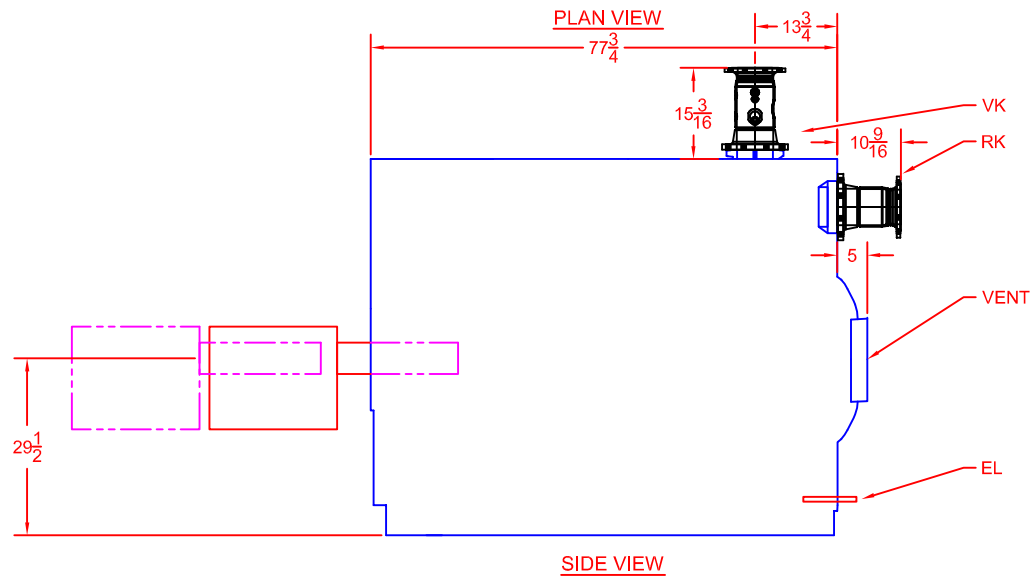
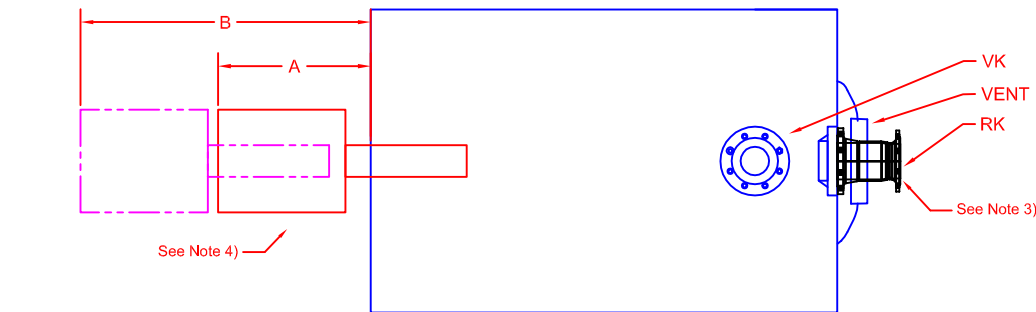
C

B

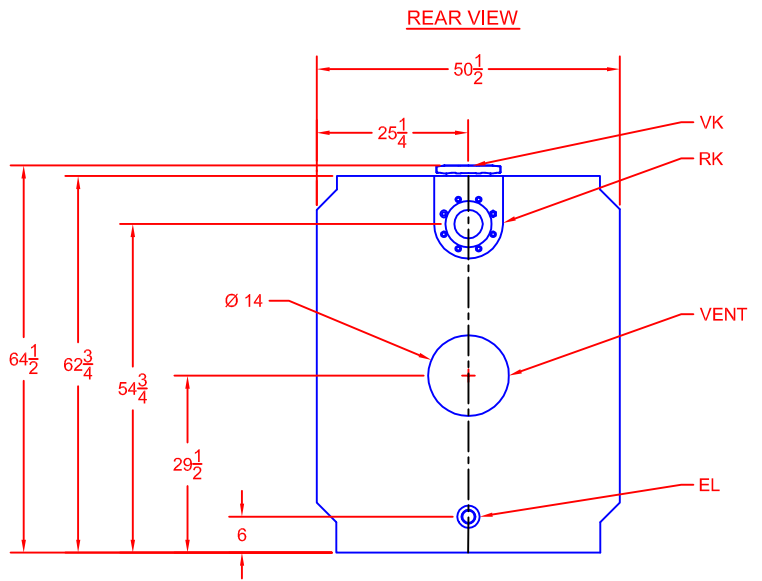
B

A

A



REVISIONS			
REV	DESCRIPTION	DATE	APPROVED
A	Released	5/12/2009	



G615-10 (2242 MBH)								
Oil								
Riello	A	B	Power Flame	A	B	Beckett	A	B
RL70/2	42 3/4	58	C3-0	39 1/2	44	CF2500A	23 3/4	30

Legend		
ABR.	Name	Size
VK	Supply	6
RK	Return 1	6
EL	Boiler Drain	3/4

NOTE 1. 'A' Dimension is to the back of the burner.
 'B' Dimension is the extraction dimension.

2. All dimensions are in inches.
 3. Manifold provided, field assembly required.
 4. Burner shipped separately; field assembly required.

Bosch Thermotechnology Corp.
 50 Wentworth Ave.
 Londonderry, NH 03053
 Phone: 603-552-1100

Tolerance

Fraction=±1/4"
 x.x=±0.030
 x.xx=±0.015
 x.xxx=±0.005

(UNLESS OTHERWISE NOTED)

This drawing is the exclusive property of Bosch Thermotechnology Corporation, it may not be reproduced or given to third parties.

Drawn By:
 M SPIRIDIGLOZZI

Approved By:
 J MILLS

Buderus
 Bosch Group

Bosch Thermotechnology Corp.

DESCRIPTION
G615-10 BOILER BURNER SPECIFICATION

SIZE	SCALE	PART NO.	REV.
A	3/8" = 1'	BTC 413006102	A

DATE 4/2/2009

SHEET 1 of 1

4

3

2

1

D

D

C

C

B

B

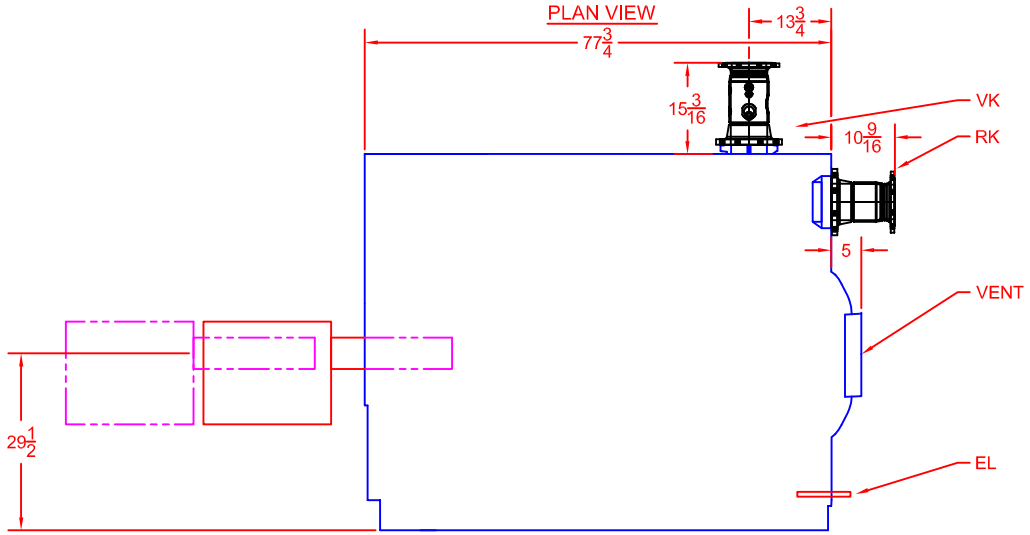
A

A

REVISIONS			
REV	DESCRIPTION	DATE	APPROVED
A	Released	5/12/2009	

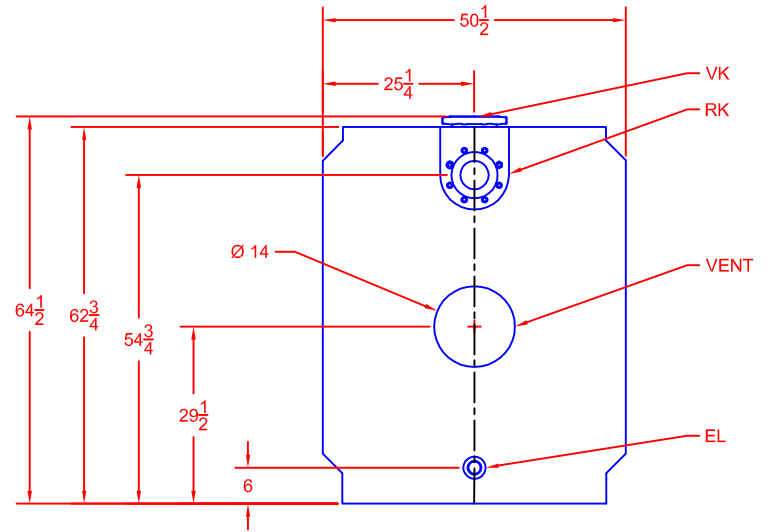


PLAN VIEW



SIDE VIEW

REAR VIEW



G615-10 (2242 MBH)								
Gas								
Riello	A	B	Power Flame	A	B	Beckett	A	B
RS70/M	51	66 3/16	C3-G-20	39 1/2	44	CG50	28 1/8	33 5/8

Legend		
ABR.	Name	Size
VK	Supply	6
RK	Return 1	6
EL	Boiler Drain	3/4

NOTE 1. 'A' Dimension is to the back of the burner.
 'B' Dimension is the extraction dimension.

2. All dimensions are in inches.
 3. Manifold provided, field assembly required.
 4. Burner shipped separately; field assembly required.

Bosch Thermotechnology Corp.
 50 Wentworth Ave.
 Londonderry, NH 03053
 Phone: 603-552-1100

Tolerance

Fraction=±1/4"
 x.x=±0.030
 x.xx=±0.015
 x.xxx=±0.005

(UNLESS OTHERWISE NOTED)

This drawing is the exclusive property of Bosch Thermotechnology Corporation, it may not be reproduced or given to third parties.

Drawn By:
 M SPIRIDIGLOZZI

Approved By:
 J MILLS

Buderus
 Bosch Group

Bosch Thermotechnology Corp.

DESCRIPTION
G615-10 BOILER BURNER SPECIFICATION

SIZE	SCALE	PART NO.	REV.
A	3/8" = 1'	BTC 413006102	A

DATE 4/2/2009

SHEET 1 of 1

4

3

2

1

D

D

C

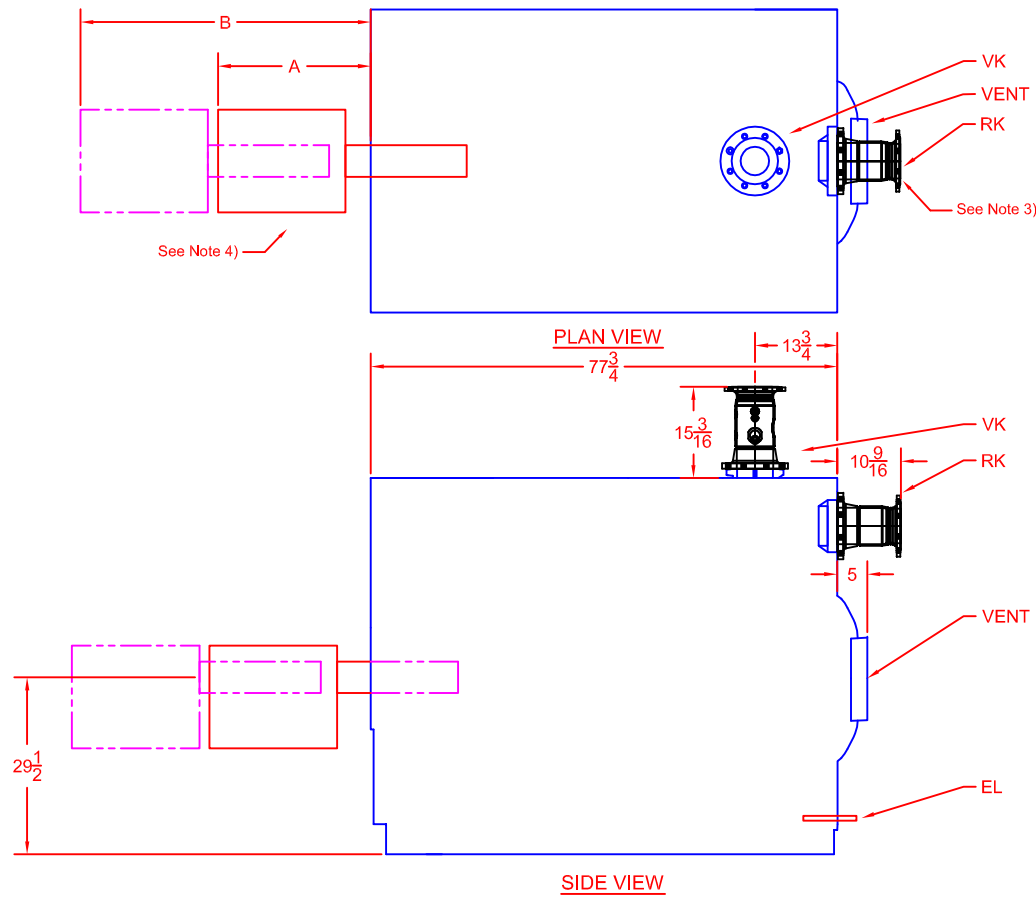
C

B

B

A

A



REVISIONS			
REV	DESCRIPTION	DATE	APPROVED
A	Released	5/12/2009	

G615-10 (2242 MBH)					
Combination					
Riello	A	B	Power Flame	A	B
RLS70	45 3/4	56 9/16	C3-GO-20	39 1/2	44

Legend		
ABR.	Name	Size
VK	Supply	6
RK	Return 1	6
EL	Boiler Drain	3/4

NOTE 1. 'A' Dimension is to the back of the burner.
 'B' Dimension is the extraction dimension.

2. All dimensions are in inches.
 3. Manifold provided, field assembly required.
 4. Burner shipped separately; field assembly required.

Bosch Thermotechnology Corp.
 50 Wentworth Ave.
 Londonderry, NH 03053
 Phone: 603-552-1100

Tolerance
 Fraction = $\pm \frac{1}{4}$ "
 x.x = ± 0.030
 x.xx = ± 0.015
 x.xxx = ± 0.005

(UNLESS OTHERWISE NOTED)

This drawing is the exclusive property of Bosch Thermotechnology Corporation, it may not be reproduced or given to third parties.

Drawn By:
 M SPIRIDIGLOZZI

Approved By:
 J MILLS

Buderus Bosch Thermotechnology Corp.

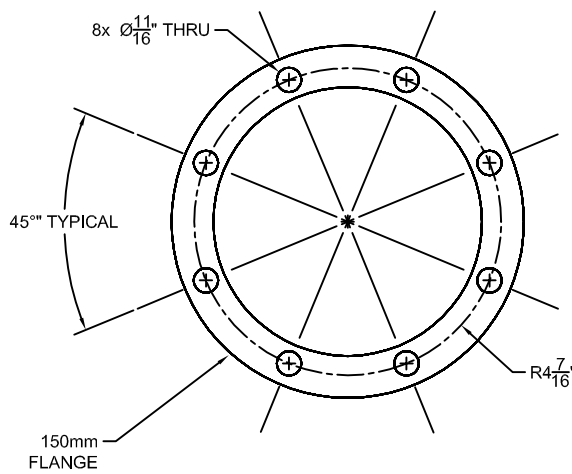
Bosch Group

DESCRIPTION
G615-10 BOILER BURNER SPECIFICATION

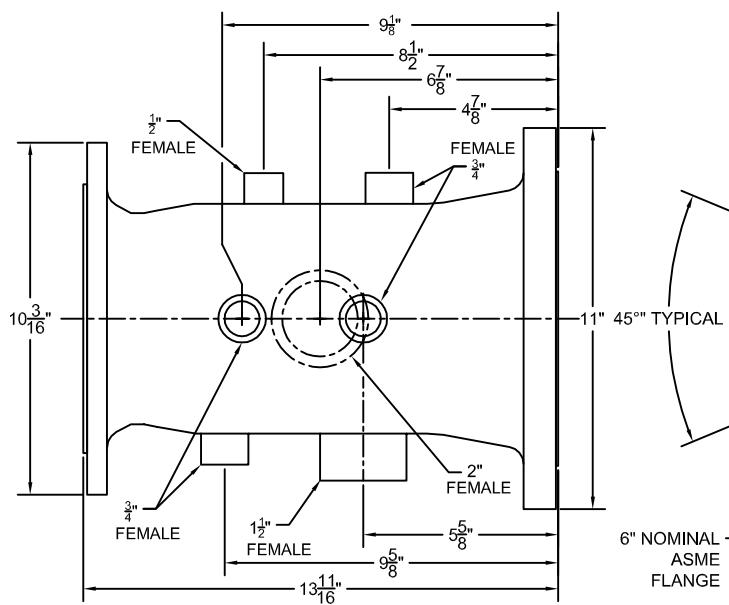
SIZE	SCALE	PART NO.	REV.
A	3/8" = 1'	BTC 413006102	A

DATE 4/2/2009 SHEET 1 of 1

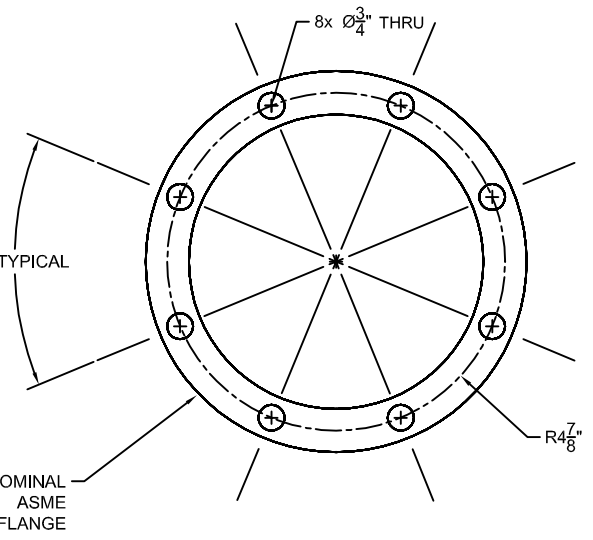
REVISIONS			
REV	DESCRIPTION	DATE	APPROVED
A	RELEASED	6/12/2009	



END VIEW



SIDE VIEW



END VIEW

NOTE
 1. All dimensions are in inches.
 2. All pipe sizes are NPT.

Bosch Thermotechnology Corp.
 50 Wentworth Ave.
 Londonderry, NH 03053
 Phone: 603-552-1100

Tolerance
 Fraction = ± 1/4"
 x.x = ± 0.030
 x.xx = ± 0.015
 x.xxx = ± 0.005
 (UNLESS OTHERWISE NOTED)

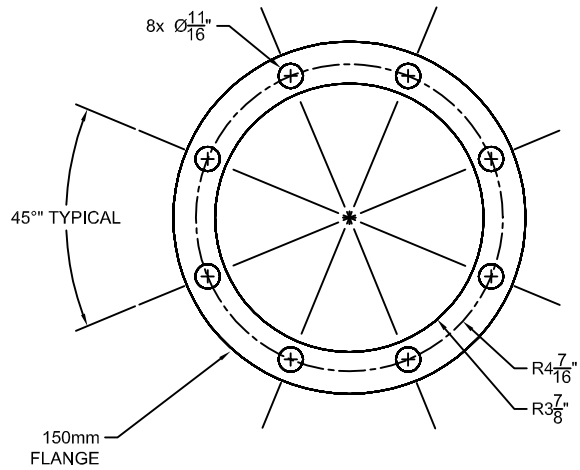
This drawing is the exclusive property of Bosch Thermotechnology Corporation, it may not be reproduced or given to third parties.

Drawn By:
 M SPIRIDIGLOIZZI

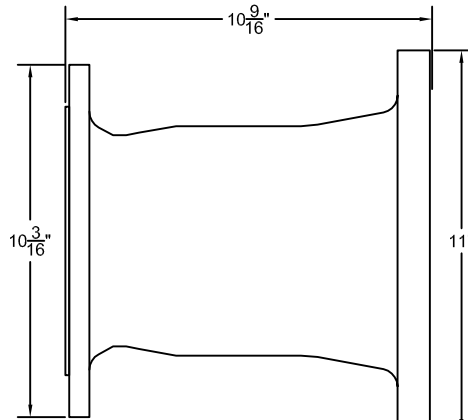
Approved By:
 J MILLS

Buderus		Bosch Thermotechnology Corp.	
Bosch Group		DESCRIPTION G615 SUPPLY MANIFOLD SPECIFICATION	
SIZE A	SCALE NTS	PART NO. BTC 413006117	REV. A
DATE 6/9/2009		SHEET 1 of 2	

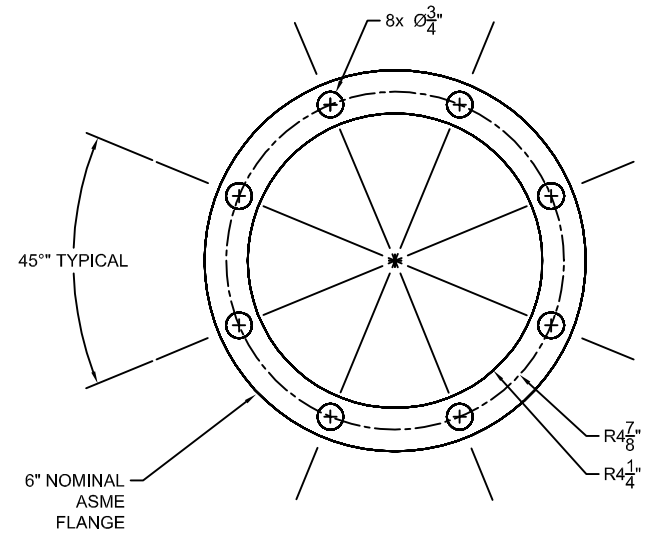
REVISIONS			
REV	DESCRIPTION	DATE	APPROVED
A	RELEASED	6/12/2009	



END VIEW



SIDE VIEW



END VIEW

NOTE

- All dimensions are in inches.
- All pipe sizes are NPT.

Bosch Thermotechnology Corp.
50 Wentworth Ave.
Londonderry, NH 03053
Phone: 603-552-1100

Tolerance

Fraction = $\pm \frac{1}{4}$ "
x.x = ± 0.030
x.xx = ± 0.015
x.xxx = ± 0.005

(UNLESS OTHERWISE NOTED)

This drawing is the exclusive property of Bosch Thermotechnology Corporation, it may not be reproduced or given to third parties.

Drawn By:
M SPIRIDIGLOZZI

Approved By:
J MILLS

Buderus

Bosch Group

Bosch Thermotechnology Corp.

DESCRIPTION

G615 RETURN MANIFOLD SPECIFICATION

SIZE

A

SCALE

NTS

PART NO.

BTC 413006117

REV.

A

DATE 6/9/2009

SHEET 2 of 2