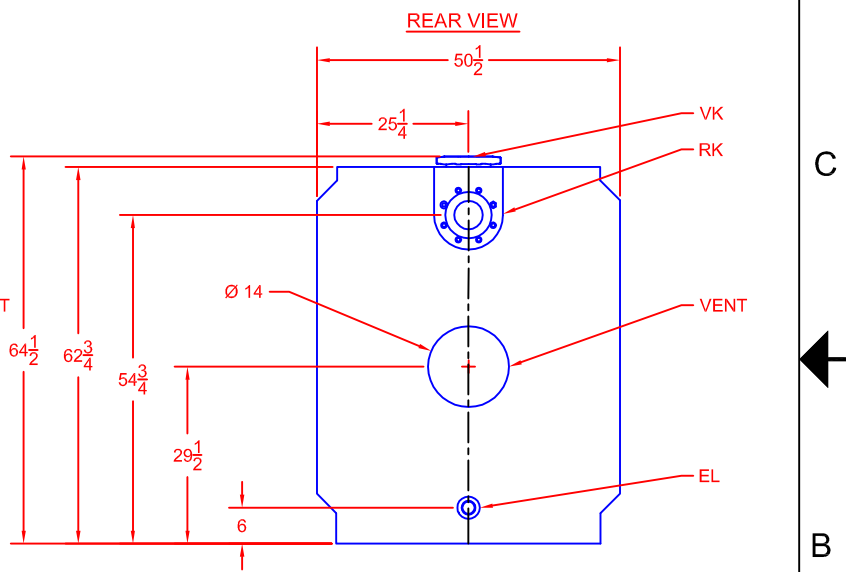
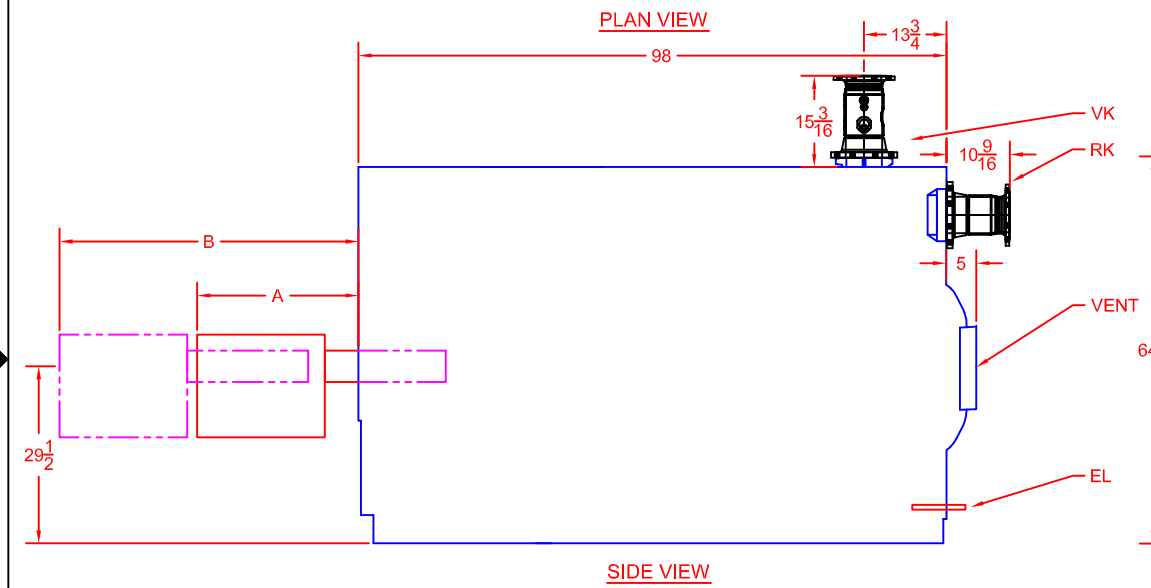
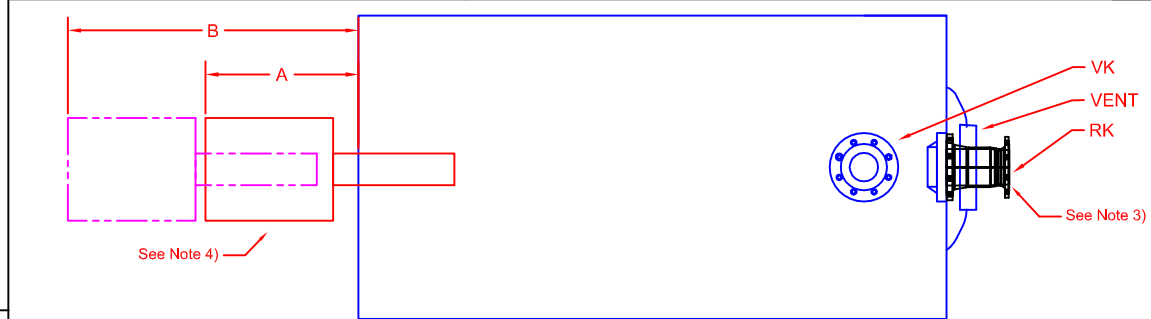


| REVISIONS | | | |
|-----------|-------------|-----------|----------|
| REV | DESCRIPTION | DATE | APPROVED |
| A | Released | 5/12/2009 | |



| | | | | | | | | | |
|--------------------|--------|----|-------------|--------|--------|---------|--------|----|--|
| G615-13 (3112 MBH) | | | | | | | | | |
| Oil | | | | | | | | | |
| Riello | A | B | Power Flame | A | B | Beckett | A | B | |
| RL100/M | 42 3/4 | 58 | C3-0 | 30 7/8 | 34 1/8 | CF3500 | 23 3/4 | 30 | |

| Legend | | |
|--------|--------------|------|
| ABR. | Name | Size |
| VK | Supply | 6 |
| RK | Return 1 | 6 |
| EL | Boiler Drain | 3/4 |

NOTE 1. 'A' Dimension is to the back of the burner.
 'B' Dimension is the extraction dimension.

2. All dimensions are in inches.
 3. Manifold provided, field assembly required.
 4. Burner shipped separately; field assembly required.

Bosch Thermotechnology Corp.
 50 Wentworth Ave.
 Londonderry, NH 03053
 Phone: 603-552-1100

Tolerance

Fraction=±1/4"
 x.x=±0.030
 x.xx=±0.015
 x.xxx=±0.005

(UNLESS OTHERWISE NOTED)

This drawing is the exclusive property of Bosch Thermotechnology Corporation, it may not be reproduced or given to third parties.

Drawn By:
 M SPIRIDIGLOZZI

Approved By:
 J MILLS

Buderus Bosch Thermotechnology Corp.

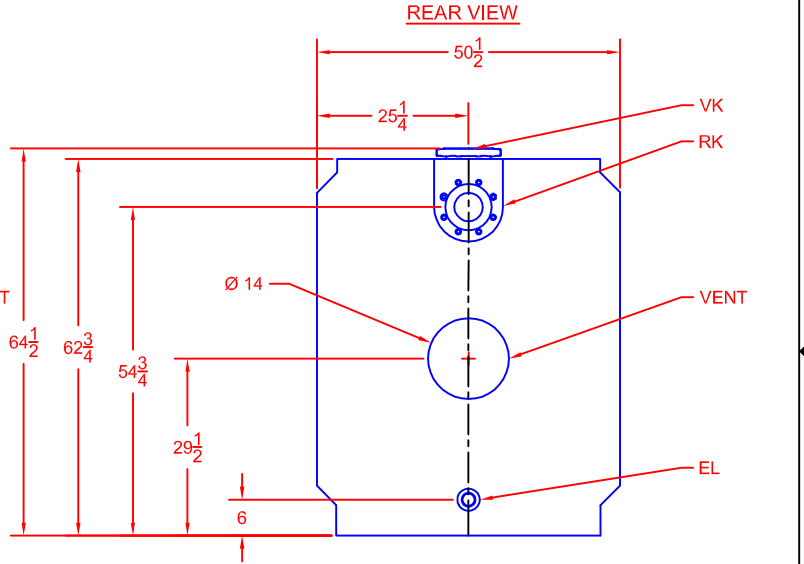
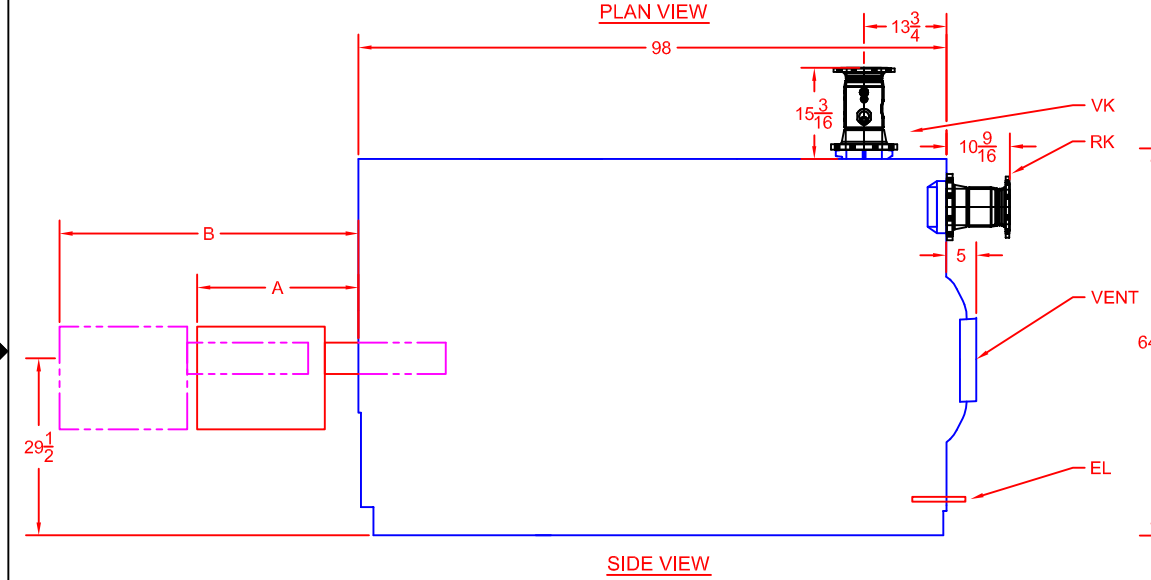
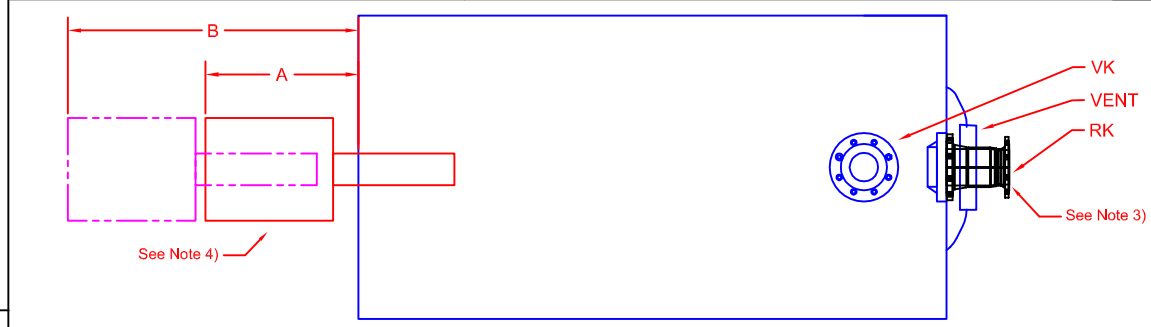
Bosch Group

DESCRIPTION
G615-13 BOILER BURNER SPECIFICATION

| | | | |
|------|-----------|----------------------|------|
| SIZE | SCALE | PART NO. | REV. |
| A | 3/8" = 1' | BTC 413006105 | A |

DATE 4/2/2009 SHEET 1 of 1

| REVISIONS | | | |
|-----------|-------------|-----------|----------|
| REV | DESCRIPTION | DATE | APPROVED |
| A | Released | 5/12/2009 | |
| | | | |



| | | | | | | | | |
|--------------------|----|---------|-------------|--------|--------|---------|--------|--------|
| G615-13 (3112 MBH) | | | | | | | | |
| Gas | | | | | | | | |
| Riello | A | B | Power Flame | A | B | Beckett | A | B |
| RS100/M | 51 | 66 3/16 | C3-G-25B | 22 1/4 | 25 1/4 | CG50 | 28 1/8 | 33 5/8 |

| Legend | | |
|--------|--------------|------|
| ABR. | Name | Size |
| VK | Supply | 6 |
| RK | Return 1 | 6 |
| EL | Boiler Drain | 3/4 |

NOTE 1. 'A' Dimension is to the back of the burner.
 'B' Dimension is the extraction dimension.

2. All dimensions are in inches.
 3. Manifold provided, field assembly required.
 4. Burner shipped separately; field assembly required.

Bosch Thermotechnology Corp.
 50 Wentworth Ave.
 Londonderry, NH 03053
 Phone: 603-552-1100

Tolerance

Fraction=±1/4"
 x.x=±0.030
 x.xx=±0.015
 x.xxx=±0.005

(UNLESS OTHERWISE NOTED)

This drawing is the exclusive property of Bosch Thermotechnology Corporation, it may not be reproduced or given to third parties.

Drawn By:
 M SPIRIDIGLOZZI

Approved By:
 J MILLS

Buderus Bosch Thermotechnology Corp.

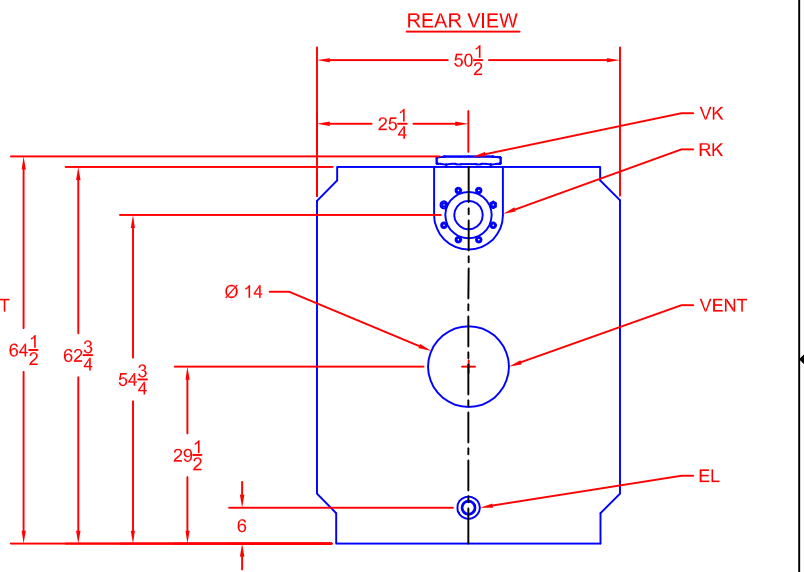
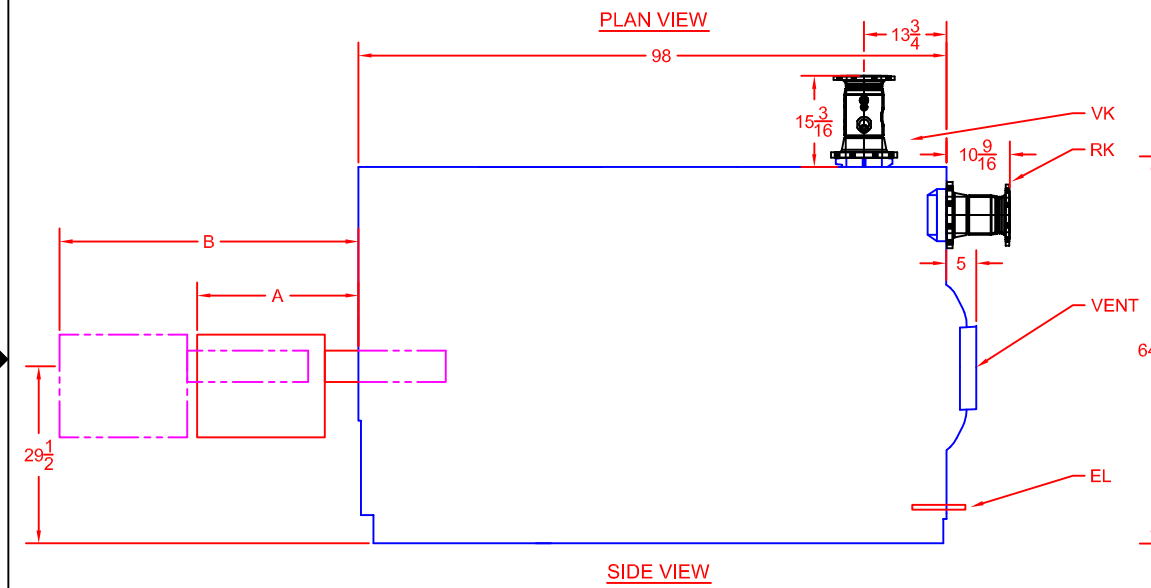
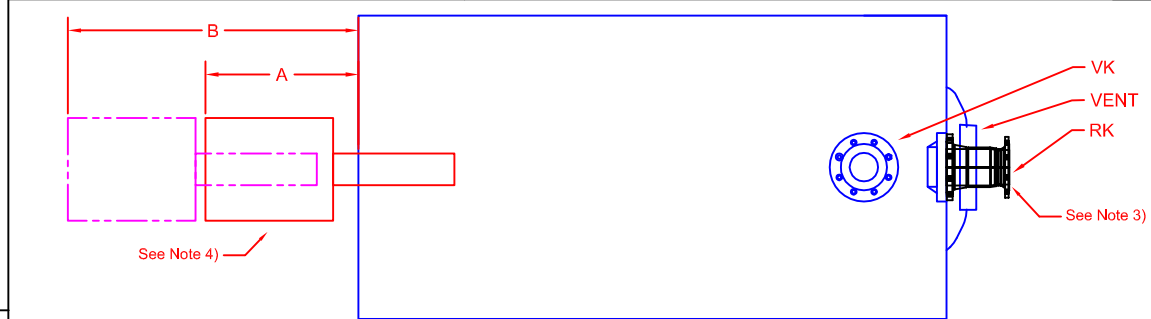
Bosch Group

DESCRIPTION
G615-13 BOILER BURNER SPECIFICATION

| | | | |
|------|-----------|----------------------|------|
| SIZE | SCALE | PART NO. | REV. |
| A | 3/8" = 1' | BTC 413006105 | A |

DATE 4/2/2009 SHEET 1 of 1

| REVISIONS | | | |
|-----------|-------------|-----------|----------|
| REV | DESCRIPTION | DATE | APPROVED |
| A | Released | 5/12/2009 | |



| | | | | | |
|--------------------|--------|---------|-------------|--------|----|
| G615-13 (3112 MBH) | | | | | |
| Combination | | | | | |
| Riello | A | B | Power Flame | A | B |
| RLS100 | 45 3/4 | 56 9/16 | C3-GO-25B | 39 1/2 | 44 |

| Legend | | |
|--------|--------------|------|
| ABR. | Name | Size |
| VK | Supply | 6 |
| RK | Return 1 | 6 |
| EL | Boiler Drain | 3/4 |

NOTE 1. 'A' Dimension is to the back of the burner.
 'B' Dimension is the extraction dimension.

2. All dimensions are in inches.
 3. Manifold provided, field assembly required.
 4. Burner shipped separately; field assembly required.

Bosch Thermotechnology Corp.
 50 Wentworth Ave.
 Londonderry, NH 03053
 Phone: 603-552-1100

Tolerance

Fraction=±1/4"
 x.x=±0.030
 x.xx=±0.015
 x.xxx=±0.005

(UNLESS OTHERWISE NOTED)

This drawing is the exclusive property of Bosch Thermotechnology Corporation, it may not be reproduced or given to third parties.

Drawn By:
 M SPIRIDIGLOZZI

Approved By:
 J MILLS

Buderus Bosch Thermotechnology Corp.

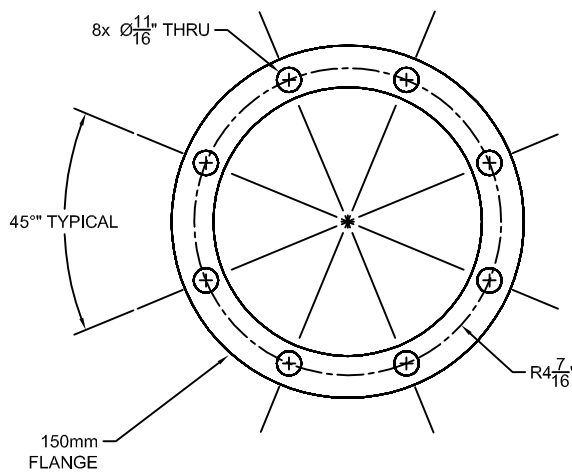
Bosch Group

DESCRIPTION
G615-13 BOILER BURNER SPECIFICATION

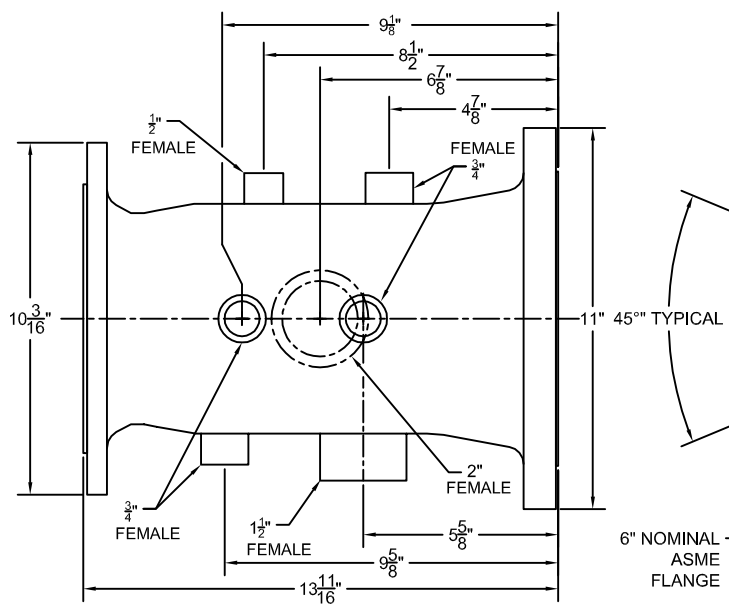
| | | | |
|------|-----------|----------------------|------|
| SIZE | SCALE | PART NO. | REV. |
| A | 3/8" = 1' | BTC 413006105 | A |

DATE 4/2/2009 SHEET 1 of 1

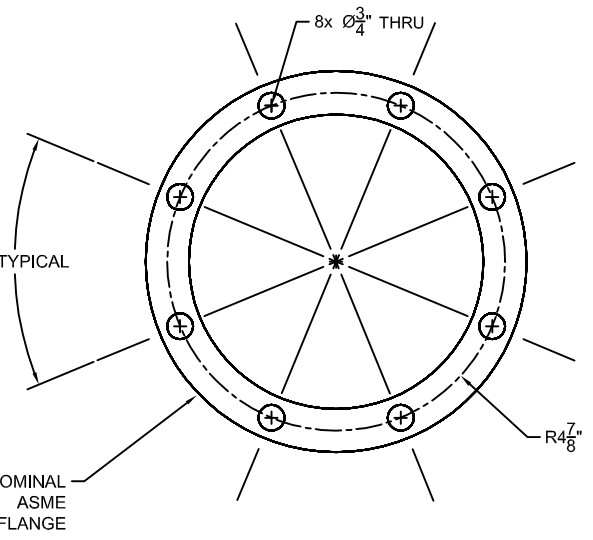
| REVISIONS | | | |
|-----------|-------------|-----------|----------|
| REV | DESCRIPTION | DATE | APPROVED |
| A | RELEASED | 6/12/2009 | |



END VIEW



SIDE VIEW



END VIEW

NOTE
1. All dimensions are in inches.
2. All pipe sizes are NPT.

Bosch Thermotechnology Corp.
50 Wentworth Ave.
Londonderry, NH 03053
Phone: 603-552-1100

Tolerance
Fraction = $\pm \frac{1}{4}$ "
x.x = ± 0.030
x.xx = ± 0.015
x.xxx = ± 0.005

(UNLESS OTHERWISE NOTED)

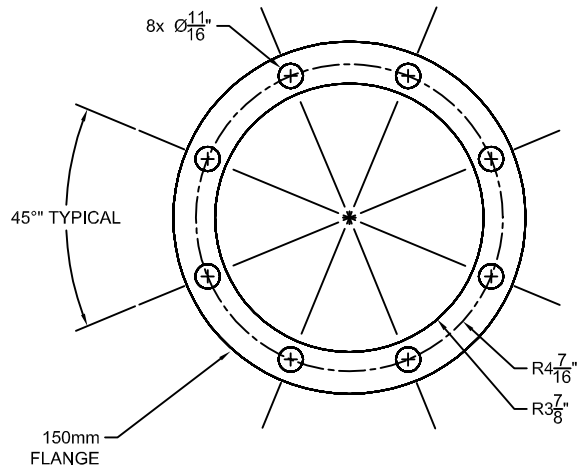
This drawing is the exclusive property of Bosch Thermotechnology Corporation, it may not be reproduced or given to third parties.

Drawn By:
M SPIRIDIGLOIZZI

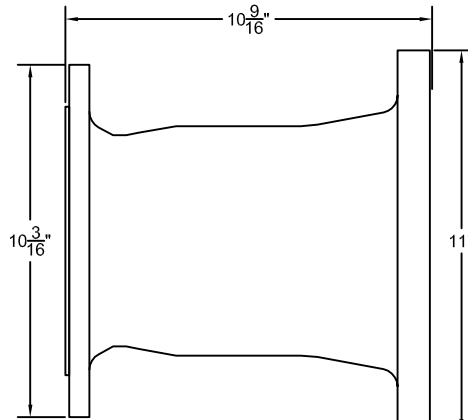
Approved By:
J MILLS

| | | | |
|------------------|--------------|---|-----------|
| Buderus | | Bosch Thermotechnology Corp. | |
| Bosch Group | | DESCRIPTION G615 SUPPLY MANIFOLD SPECIFICATION | |
| SIZE A | SCALE NTS | PART NO. BTC 413006117 | REV. A |
| DATE 6/9/2009 | | SHEET 1 of 2 | |

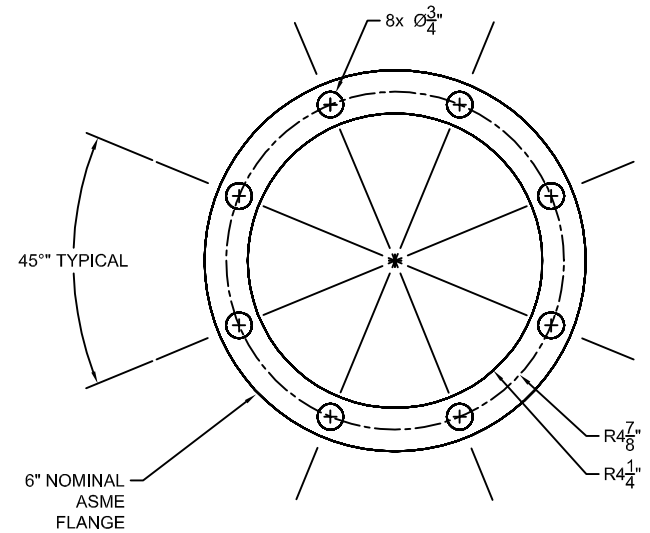
| REVISIONS | | | |
|-----------|-------------|-----------|----------|
| REV | DESCRIPTION | DATE | APPROVED |
| A | RELEASED | 6/12/2009 | |



END VIEW



SIDE VIEW



END VIEW

NOTE

- All dimensions are in inches.
- All pipe sizes are NPT.

Bosch Thermotechnology Corp.
50 Wentworth Ave.
Londonderry, NH 03053
Phone: 603-552-1100

Tolerance

Fraction = $\pm \frac{1}{4}$ "
x.x = ± 0.030
x.xx = ± 0.015
x.xxx = ± 0.005

(UNLESS OTHERWISE NOTED)

This drawing is the exclusive property of Bosch Thermotechnology Corporation, it may not be reproduced or given to third parties.

Drawn By:
M SPIRIDIGLOZZI

Approved By:
J MILLS

Buderus

Bosch Group

Bosch Thermotechnology Corp.

DESCRIPTION

G615 RETURN MANIFOLD SPECIFICATION

SIZE

A

SCALE

NTS

PART NO.

BTC 413006117

REV.

A

DATE 6/9/2009

SHEET 2 of 2