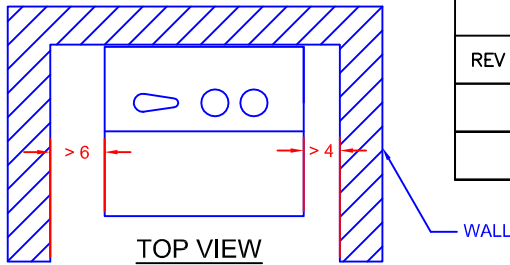
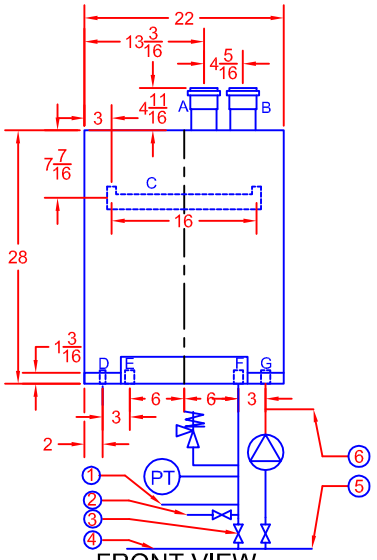


A B C D

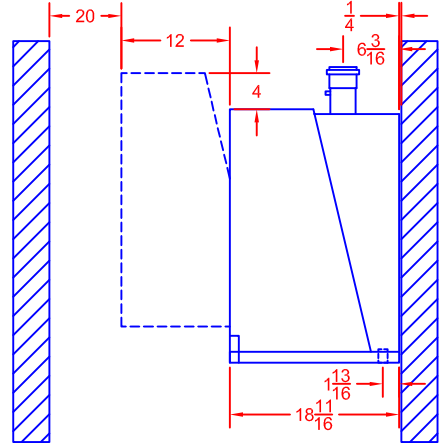
REVISIONS			
REV	DESCRIPTION	DATE	APPROVED



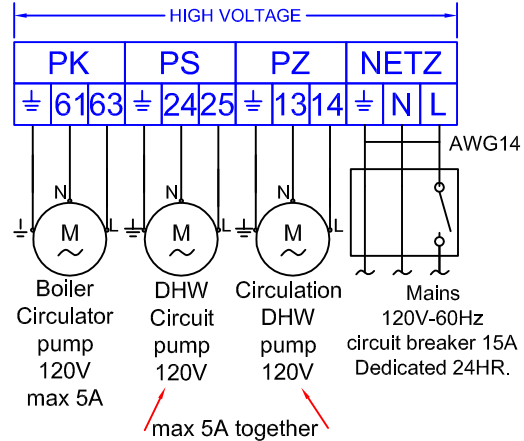
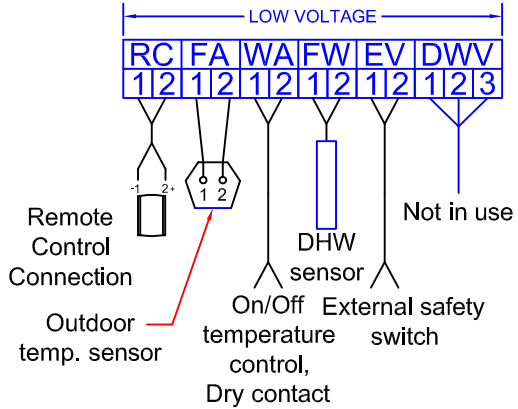
TOP VIEW



FRONT VIEW



SIDE VIEW



SYMBOL	NAME	SIZE	SYMBOL	NAME	Legend	
A	Flue Gas ID	3"	①	DHW Supply		Safety Relief Valve
B	Air intake ID	3"	②	Drain Valve		Press/Temp Gage
C	Wall bracket	-	③	Manifold Shut-off Valve		Pump
D	Gas OD	3/4"	④	Secondary Supply		Valve
E	Condensate Drain	1.3"	⑤	DHW Return		
F	Supply	1"	⑥	Secondary Return		
G	Return	1"				

1	Bosch Thermotechnology Corp. 50 Wentworth Ave. Londonderry, NH 03053 Phone: 603-552-1100	This drawing is the exclusive property of Bosch Thermotechnology Corporation, it may not be reproduced or given to third parties.	<b>Buderus</b>		Bosch Thermotechnology Corp.
	Tolerance  Fraction=±1/4" x.x=±0.030 x.xx=±0.015 x.xxx=±0.005  (UNLESS OTHERWISE NOTED)		Drawn By: M SPIRIDIGLOZZI	Approved By: J MILLS	
DATE 4/30/2009		SIZE <b>A</b>	SCALE NTS	PART NO. BTC 435006101 A	REV.
SHEET 1 of 1					

A B C D